

Overview of the Rotary Switch Settings for PV Inverters, Version 11/2014



1 Notes on this Overview

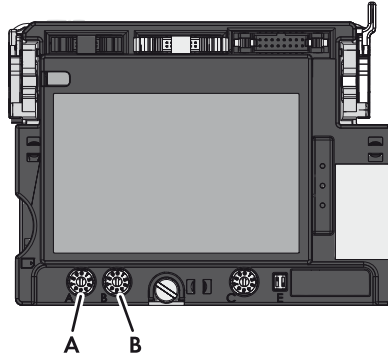
1.1 Validity

This overview contains the valid rotary switch settings for the following SMA inverters:

- SB 2000HF-30 / 2500HF-30 / 3000HF-30
- SB 2500TLST-21 / 3000TLST-21
- SB 3000TL-20 / 3600TL-20 / 4000TL-20 / 5000TL-20
- SB 3000TL-21 / 3600TL-21 / 4000TL-21 / 5000TL-21/6000TL-21
- SB 3600SE-10 / 5000SE-10
- STP 8000TL-10 / 10000TL-10 / 12000TL-10 / 15000TL-10 / 17000TL-10
- STP 5000TL-20 / 6000TL-20 / 7000TL-20 / 8000TL-20 / 9000TL-20 / 10000TL-20 / 12000TL-20
- STP 20000TL-30 / 25000TL-30
- STP 15000TLEE-10 / 20000TLEE-10

1.2 Rotary Switch Settings and Country Data Sets

Overview of the Rotary Switches in the Inverter



A	B	Country data set	Display language	Country	SB HF-30	SB SE	SB TL-21	SB TLST-21	STP TL-10	STP TL-20	STP TL-30	STP TLEE-10
0	0	Default setting	Default setting	Dependent on parameter set								
0	1	Retained	English	Dependent on parameter set								
0	2	Retained	German	Dependent on parameter set								
0	3	Retained	French	Dependent on parameter set								
0	4	Retained	Spanish	Dependent on parameter set								
0	5	Retained	Italian	Dependent on parameter set								
0	6	Retained	Greek	Dependent on parameter set								
0	7	Retained	Czech	Dependent on parameter set								
0	8	Retained	Korean	Dependent on parameter set								
0	9	Retained	Portuguese	Dependent on parameter set								
0	A	Retained	Dutch	Dependent on parameter set								

A	B	Country data set	Display language	Country	SB HF-30	SB SE	SB TL-21	SB TLST-21	STP TL-10	STP TL-20	STP TL-30	STP TLEE-10
0	B	Retained	Slovenian	Dependent on parameter set								
0	C	Retained	Bulgarian	Dependent on parameter set								
0	D	Retained	Polish	Dependent on parameter set								
1	0	VDE0126-1-1	German	Germany, Switzerland	x	x	x	x	x	x	x	x
1	1	VDE0126-1-1 A	German	Germany								
1	2	VDE-AR-N4105*	German	Germany	x	x	x	x	x	x	x	x
1	4	VDE-AR-N4105-MP**	German	Germany		x	x	x	x	x		
1	6	VDE-AR-N4105-HP***	German	Germany		x	x	x	x	x	x	x
1	8	VDE0126-1-1	French	Switzerland, France	x	x	x	x	x	x	x	x
1	9	VDE0126-1-1/UTE	French	France	x		x	x	x	x		x
1	A	VFR2013	French	France	x		x	x	x			x
1	B	VFR2014	French	France	x	x	x	x			x	x
2	0	VDE0126-1-1	Italian	Switzerland	x	x	x	x	x	x	x	x
2	8	AS 4777.3	English	Australia	x	x	x	x	x	x	x	x
3	0	Enel-GUIDA	Italian	Italy					x			
3	1	CE1 0-21Internal	Italian	Italy		x	x	x				
3	2	CE1 0-21External	Italian	Italy		x	x	x	x	x	x	x
3	8	Enel-GUIDA	German	Italy	x				x			
4	0	RD1699	Spanish	Spain	x	x	x	x	x	x	x	
4	1	RD1663-A/661-A	Spanish	Spain	x		x	x	x	x	x	x
4	8	PPC	Greek	Greece	x	x	x	x	x	x	x	x
4	9	PPC	English	Greece	x	x	x	x	x	x	x	x
5	0	KEPCO Guide	English	Korea								
5	1	KEMCO501_2009	English	Korea	x		x	x	x			
5	2	KEMCO501_2009	Korean	Korea	x		x	x	x			
5	5	KEMCO502_2009	English	Korea					x			x
5	6	KEMCO502_2009	Korean	Korea					x			x
5	8	G83/2	English	England	x	x	x	x	x	x		
5	A	G59/2	English	England					x	x		x
		G59/3				x	x	x			x	

A	B	Country data set	Display language	Country	SB HF-30	SB SE	SB TL-21	SB TLST-21	STP TL-10	STP TL-20	STP TL-30	STP TLEE-10
6	0	EN50438	German	Various EU countries	x	x	x	x	x	x	x	x
6	1	EN50438	English		x	x	x	x	x	x	x	x
6	2	EN50438	French		x	x	x	x	x	x	x	x
6	3	EN50438	Italian		x	x	x	x	x	x	x	x
6	4	EN50438	Spanish		x	x	x	x	x	x	x	x
6	5	EN50438	Greek		x	x	x	x	x	x	x	x
6	6	EN50438	Czech		x	x	x	x	x	x	x	x
6	7	EN50438	Portuguese		x	x	x	x	x	x	x	x
6	8	EN50438	Bulgarian		x	x	x	x	x	x	x	x
6	9	EN50438	Polish		x	x	x	x	x	x	x	x
6	A	EN50438:2013	English	Various EU countries			x			x		
6	B	EN50438:2013	Polish				x			x		
6	C	EN50438:2013	Portuguese				x			x		
6	E	NEN-EN50438	Dutch	Netherlands	x	x	x	x	x	x	x	x
6	F	NEN-EN50438:2013	Dutch	Netherlands			x			x		
7	0	EN50438-CZ	Czech	Czech Republic	x	x	x	x				
7	1	EN50438-CZ	English	Czech Republic	x	x	x	x				
7	2	EN50438-CZ	German	Czech Republic	x	x	x	x				
7	4	PPDS	Czech Republic	Czech Republic		x	x	x	x	x		x
7	5	PPDS	English	Czech Republic		x	x	x	x	x		x
7	6	PPDS	German	Czech Republic		x	x	x	x	x		x
7	8	C10/C11/2012	French	Belgium	x	x	x	x	x	x	x	x
7	9	C10/C11/2012	English	Belgium	x	x	x	x	x	x	x	x
7	A	C10/C11/2012	German	Belgium	x	x	x	x	x	x	x	x
7	B	C10/C11/2012	Dutch	Belgium	x	x	x	x	x	x	x	x
A	0	Medium-Voltage Directive (Germany)	German	Germany					x		x	x
A	1	Medium-Voltage Directive (Germany)	English	Various countries					x		x	x

A	B	Country data set	Display language	Country	SB HF-30	SB SE	SB TL-21	SB TLST-21	STP TL-10	STP TL-20	STP TL-30	STP TLEE-10
A	2	Medium-Voltage Directive (Germany)	French	France					x		x	x
A	3	Medium-Voltage Directive (Germany)	Spanish	Spain					x		x	x
A	4	Medium-Voltage Directive (Germany)	Czech	Czech Republic					x		x	x
A	8	CGC/GF001	English	China								
A	A	GB-T19939-2005	English	China								
A	C	SI4777-2	English	Israel	x			x	x			x
		SI4777_HS131_Pf						x			x	x
B	0	MVtg-Directive internal	German	Germany					x		x	x
B	1	MVtg-Directive internal	English	Various countries					x		x	x
B	2	MVtgDirective Int.	French	France					x		x	x
B	3	MVtgDirective Int.	Spanish	Spain					x		x	x
B	4	MVtgDirective Int.	Czech	Czech					x		x	x
B	8	IEC61727/MEA	English	Thailand	x			x	x			x
		MEA2013						x			x	x
B	C	IEC61727/PEA	English	Thailand	x			x	x			x
		PEA2013						x			x	x
C	0	Other standard	English	Flexible	x	x	x	x	x	x	x	
C	1	Other standard	German	Flexible	x	x	x	x	x	x	x	
C	2	Other standard	French	Flexible	x	x	x	x	x	x	x	
C	3	Other standard	Spanish	Flexible	x	x	x	x	x	x	x	
C	4	Other standard	Italian	Flexible	x	x	x	x	x	x	x	
C	5	Other standard	Greek	Flexible	x	x	x	x	x	x	x	
C	6	Other standard	Czech	Flexible	x	x	x	x	x	x	x	
D	0	Island mode 60 Hz	English	Flexible	x		x	x	x	x	x	x
D	1	Island mode 60 Hz	German	Flexible	x		x	x	x	x	x	x
D	2	Island mode 60 Hz	French	Flexible	x		x	x	x	x	x	x
D	3	Island mode 60 Hz	Spanish	Flexible	x		x	x	x	x	x	x
D	4	Island mode 60 Hz	Italian	Flexible	x		x	x	x	x	x	x
D	5	Island mode 60 Hz	Greek	Flexible	x		x	x	x	x	x	x
D	6	Island mode 60 Hz	Czech	Flexible	x		x	x	x	x	x	x
E	0	Island mode 50 Hz	English	Flexible	x		x	x	x	x	x	x

A	B	Country data set	Display language	Country	SB HF-30	SB SE	SB TL-21	SB TLST-21	STP TL-10	STP TL-20	STP TL-30	STP TLEE-10
E	1	Island mode 50 Hz	German	Flexible	x		x	x	x	x	x	x
E	2	Island mode 50 Hz	French	Flexible	x		x	x	x	x	x	x
E	3	Island mode 50 Hz	Spanish	Flexible	x		x	x	x	x	x	x
E	4	Island mode 50 Hz	Italian	Flexible	x		x	x	x	x	x	x
E	5	Island mode 50 Hz	Greek	Flexible	x		x	x	x	x	x	x
E	6	Island mode 50 Hz	Czech	Flexible	x		x	x	x	x	x	x
F	0	from SD memory card	from SD memory card	Flexible								

* Setting in accordance with VDE-AR-N-4105 for PV systems ≤ 3.68 kVA (Germany)

** Setting in accordance with VDE-AR-N-4105 for PV systems from 3.68 kVA to 13.8 kVA (Germany)

*** Setting in accordance with VDE-AR-N-4105 for PV systems > 13.8 kVA (Germany)